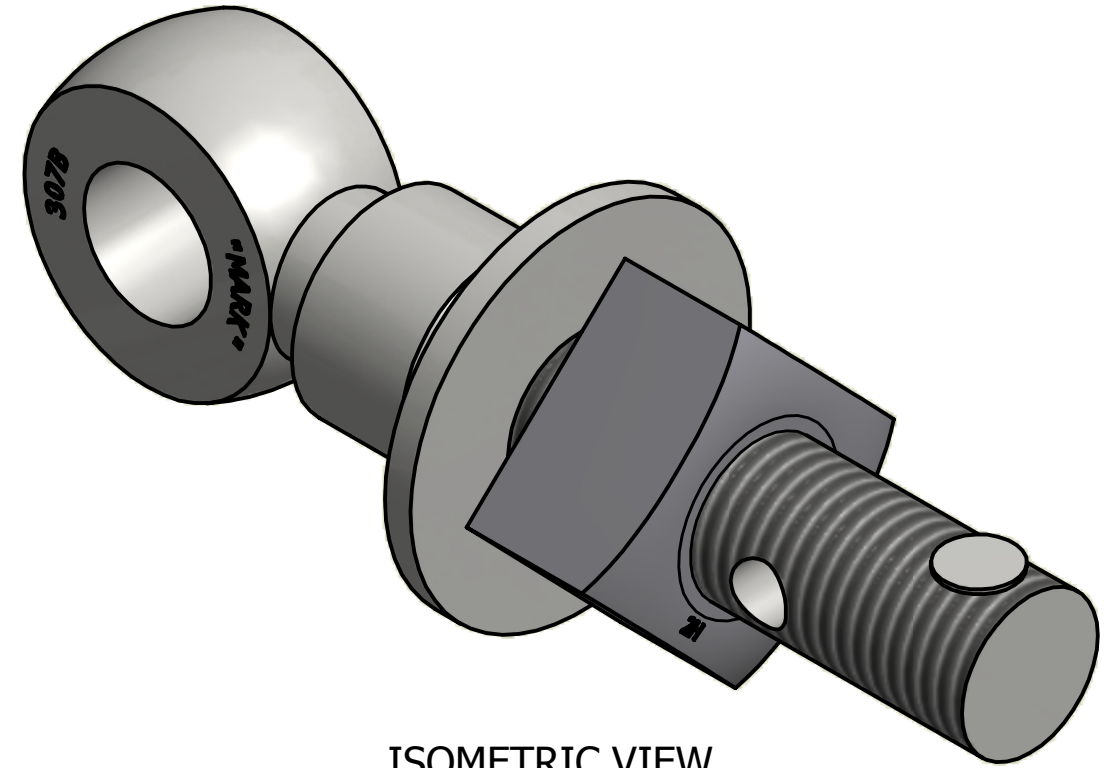
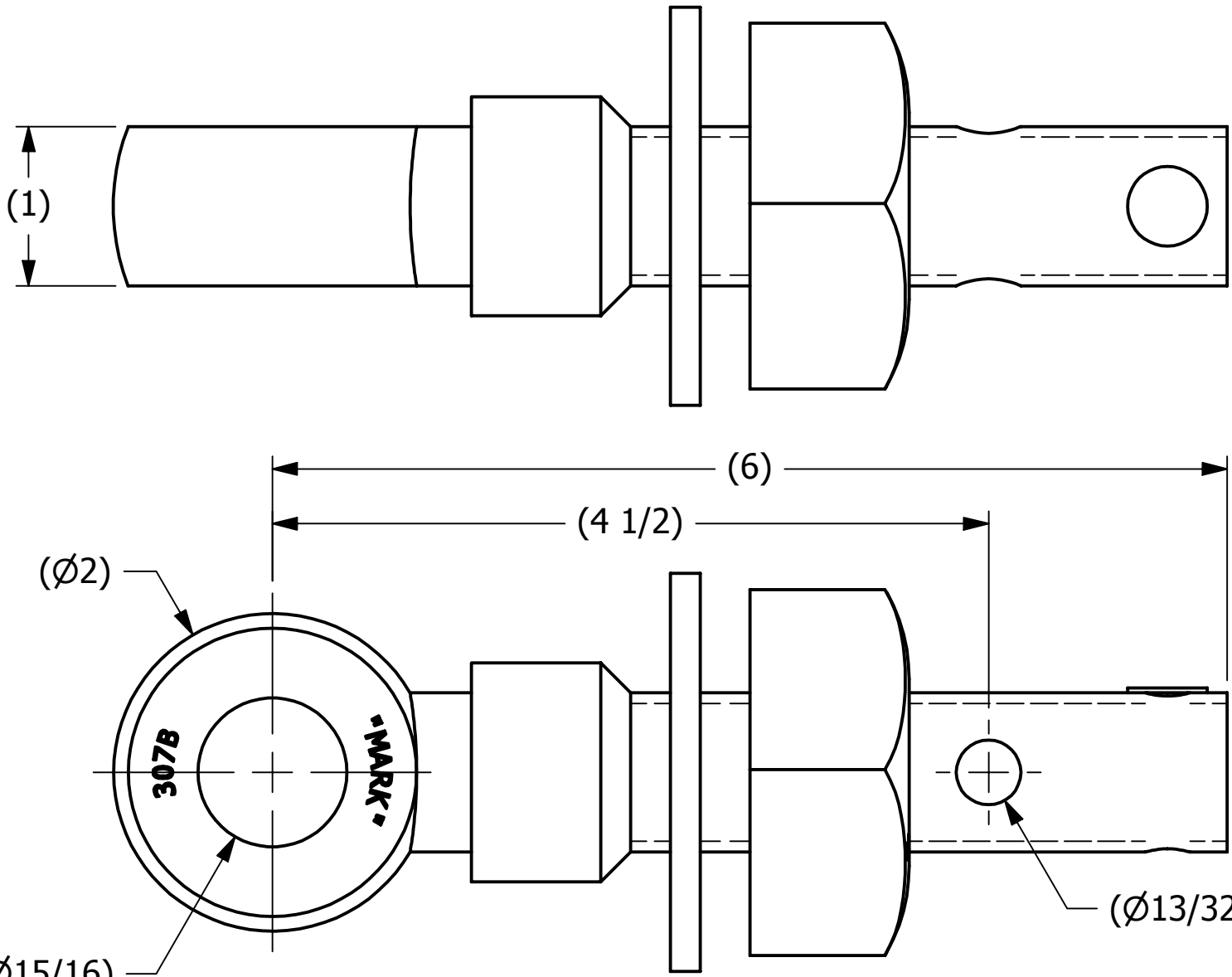


SALES DRAWING

SALES DRAWING



ISOMETRIC VIEW

A	CHL	9-17-10	NEW PART ADDED TO NETWORK	
REV	BY	DATE	DESCRIPTION	
SALCO PRODUCTS, INC.				
PART NAME: EYEBOLT ASSEMBLY 1"X6"				
MATERIAL: CARBON STEEL				
PROJECT #: WAG0851		SHEET #: 1 OF 1		SCALE: 1:1
DRAWING #: B29334		PART #: EB16HFTATC3		

<small>UNLESS OTHERWISE SPECIFIED DIMENSIONAL TOLERANCES</small> FRACTIONAL: ±1/16 X.XX: ±.03 X.XXX: ±.015 ANGULAR: ±1° <small>DEBURR ALL SHARP EDGES. ALL MACHINED SURFACES TO HAVE A 125 RMS FINISH UNLESS NOTED OTHERWISE.</small>	DRAWN BY:	REH
	CHECKED BY:	WRB
	PROTOTYPE BY:	REH
	PROTOTYPE DATE:	8/24/2010
	APPROVED FOR PRODUCTION BY:	WRB
THIRD ANGLE PROJECTION	PRODUCTION DATE:	9/17/2010

THIS PRINT, PROPERTY OF SALCO PRODUCTS INC., CONTAINS PROPRIETARY INFORMATION AND MUST NOT BE COPIED, REPRODUCED, OR USED DETRIMENTALLY TO OUR INTEREST.